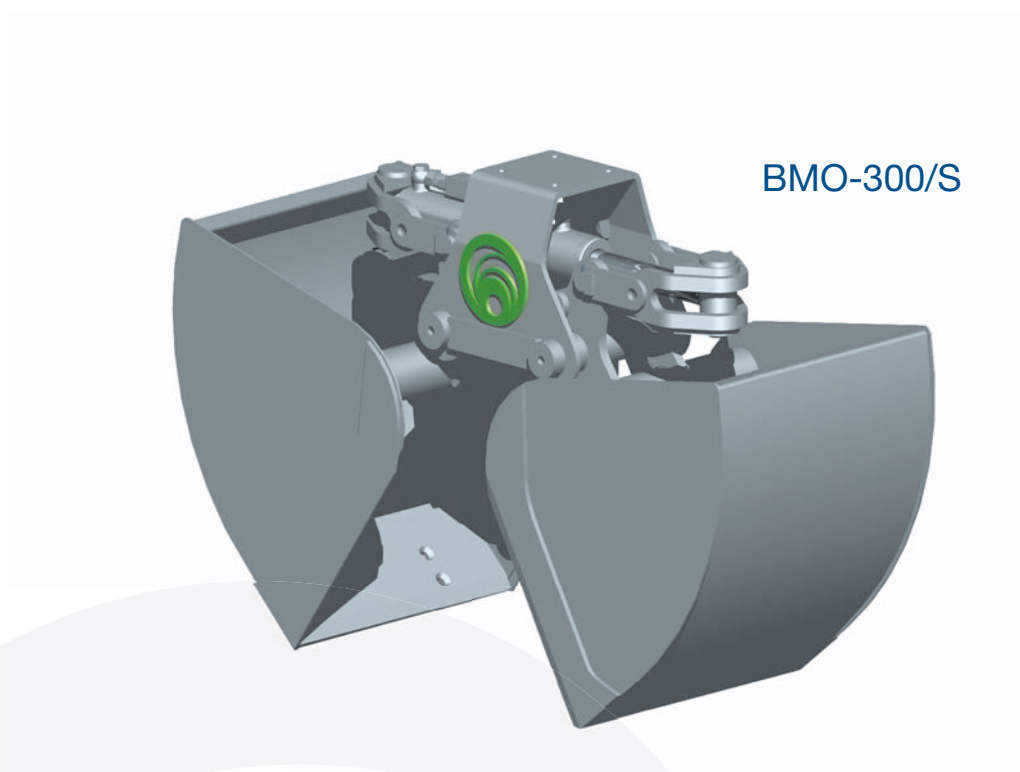


**Benna bivalve a cilindro orizzontale.**

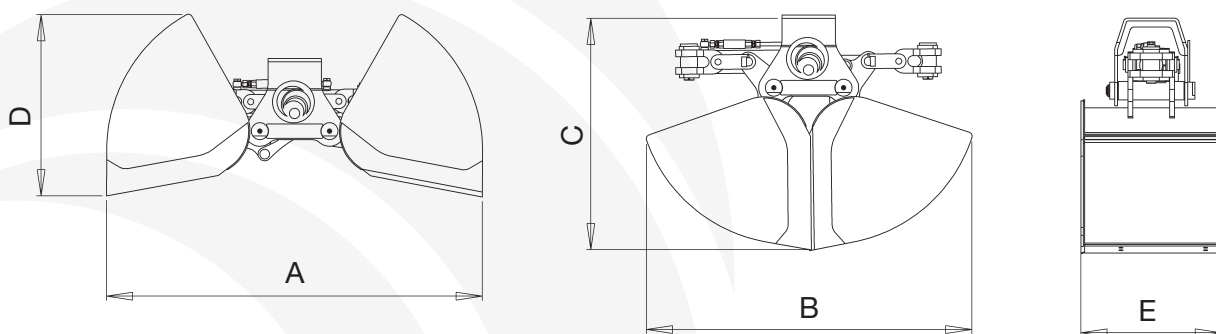
- design compatto, robusto e affidabile.
- adatta a scavi leggeri.
- disponibile la rotazione idraulica o meccanica.
- lame realizzate in acciaio antiusura ITAR 7.

**Clamshell bucket with horizontal cylinder.**

- sturdy, reliable and compact design.
- suitable for light digging.
- hydraulic or mechanical rotation available on demand.
- cutting edges made of ITAR 7 anti-wear steel.



**Dati Tecnici**  
Technical Data



Modello Model	Cap. Lt.	Peso / Kg Weight	Portata DaN Max Load	Max BAR	A mm	B mm	C mm	D mm	E mm
BMO - 250/S	250	320	1000	250	1500	1340	920	500	500
BMO - 300/S	300	330	1500	250	1500	1340	920	500	600
BMO - 400/S	400	345	1500	250	1500	1340	920	500	700
BMO - 500/S	500	365	1500	250	1500	1340	920	500	800