

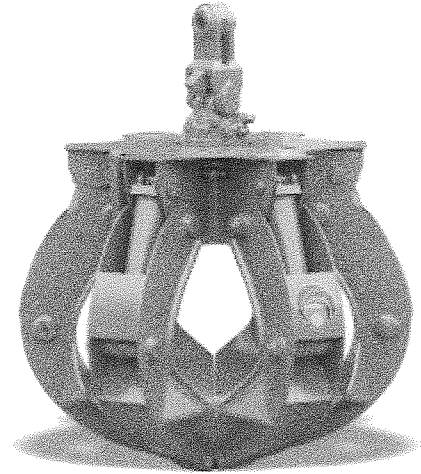


PFO

Orange Peel Grapple for Metal Scrap

Orange peel grab for metal scrap and urban waste

- **Strength and reliability.**
- **Versatility**
- **Interchangeable rotator options**
- **“The” truck crane grapple**
- **Loose materials handling**
- **Structural quality.**
- **Custom links.**



compact orange peel grapple standard version

Strength and reliability.

On PFO polyp grapples the hydraulic circuit is well protected into the structure. The generously dimensioned cylinders provides excellent penetration force into the handled materials and good gripping capacity.

Versatility

Orange peel grapples are gripping devices with independent tines, each one set in motion by a double-acting hydraulic cylinder. This allows the equipment to have a good grip on loose materials and non-symmetrical objects. The number of tines vary from four to six. The oil flow must be provided by the machine on which the grapple is installed.

Interchangeable rotator options

The grapple’s innovative design allows the equipment to incorporate a rotation mechanism, both mechanical, (limited 250° rotation) or hydraulic (continuous rotation). In PFO grapples these devices are easily interchangeable, without any modification in the overall dimensions.

“The” truck crane grapple

The very compact design of PFO orange peel grapples makes them the best solution for truck cranes, where dimensions and weight are the key points. These grapples can give many advantages on excavators, when it’s necessary to work indoors or to operate in confined spaces.

Loose materials handling

Orange peel grapples are designed to handle loose materials such as metal scrap, paper, used tyres and urban waste. They can be mounted on truck cranes, mini excavators, wheeled loaders and tracked excavators.

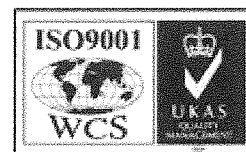
Structural quality.

Orange peel grapples are made using high tensile strength steel (WELDOX – DOMEX) for structural parts and use wear plates (HARDOX) for parts in contact with the handled materials, such as the tines and the tips. Large diameter, induction hardened chrome pins and bushings are used in all grapple junction points.

Custom links.

The polyp grapples must be mounted on operating machines through a cardan link that allows “pendulum” movement in the four horizontal directions. IDROBENNE can supply custom-made links for any operating machine on the market.

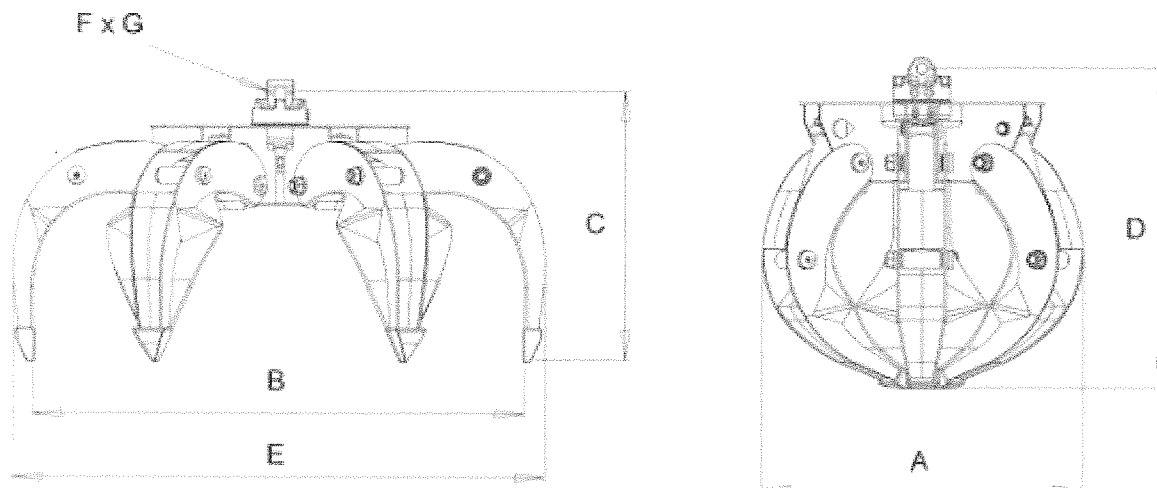
Orange peel grab for metal scrap and urban waste



Certificate Nr. 6507

Model	Theeth	Cap. Lt.	Weight Kg.	Max Load DaN	Max Bar	Dimensions mm.						
						A	B	C	D	E	Ø FxG	
▶ PFO - 4/100	4	100	125	1000	220	750	1070	580	750	1200	25x30	
▶ PFO - 5/100	5	100	140	1500	220	750	1070	580	750	1200	25x30	
▶ PFO - 4/120	4	120	220	1500	220	850	1170	690	850	1350	30x60	

▶ PFO - 4/180	4	180	240	1500	220	920	1400	760	990	1570	30x60
▶ PFO - 5/220	5	220	280	2000	220	970	1450	780	990	1600	30x60
▶ PFO - 5/250	5	250	330	2500	220	1000	1430	750	920	1620	32x80
▶ PFO - 6/270	6	270	400	3000	220	1020	1500	750	920	1650	32x80
▶ PFO - 4/300	4	300	360	2500	220	1110	1600	850	1010	1750	32x80
▶ PFO - 5/300	5	300	430	3000	220	1160	1600	850	1010	1750	32x80
▶ PFO - 6/320	6	320	470	3000	220	1160	1720	950	1010	1870	32x80
▶ PFO - 5/400	5	400	540	3000	220	1250	1860	870	1050	2010	35x80
▶ PFO - 6/400	6	400	590	3000	220	1250	1860	870	1050	2010	35x80
▶ PFO - 5/400-SR	5	400	600	3000	300	1250	1860	870	1050	2010	50x100
▶ PFO - 6/400-SR	6	400	650	3000	300	1250	1860	870	1050	2010	50x100



Application

Recycling of scrap metals and urban waste

This sector of activity consist of collecting, handling, sorting and reprocessing of materials into new products.

IDROBENNE s.r.l. - Via I maggio, n.1-9 - Z.I. Lorena - 25010 Isorella (Brescia)
 Tel. +39 030 995 82 83 r.a. - Fax +39 030 995 26 60